



SEATING INNOVATIONS

Seating in the Right Place™

REPAIR GUIDE

VIEW REPAIR VIDEOS:
www.youtube.com/SeatingInnovations
PHONE: 1.888.864.3463
FAX: 1.888.221.1262

This guide is to help ensure your suspended seats are adjusted correctly, and that your seating is always in the right place.

01 Suspension Arm Alignment

Issue: The suspended chair sits too far from, or too close to the countertop.

02 Seat Plate Alignment

Issue: Your suspended chair is not square with the counter top or collides with the counter top.

03 Return Spring Adjustment

Issue: Your suspended chair springs back too quickly, or too slowly, or doesn't return to its resting position.

04 Arm Spring Adjustment

Issue: Your suspended chair squeaks when opening or closing the suspension arm.

05 Arm Bushing/Stop Adjustment

Issue: Your suspended chair jolts or pops when you sit down.

Suspension Arm Alignment

Issue: The suspended chair sits too far from, or too close to the countertop.

Tool(s) needed: 5/32" Allen Wrench

1 Remove the front cover, by grabbing the back of the cover on both sides, flexing it out, and sliding it down. This will expose the collars^{1a}.

2 To reposition the arm, locate the lower stop collar and loosen the 4 set screws^{1b} with the allen wrench. Position the arm and the stop collar to the desired position. Then tighten the set screws.

NOTES:

a. Place downward pressure^{2a} on the chair while repositioning the suspension arm. The spring in the suspension arm will cause the arm to rise and will push the lower collar down on the arm which will create added play or a gap that may bind the mechanism. Make sure the lower collar is snug(no gap) to the lower bushing.

b. The lower collar is designed to stop the arm's rotation in it's resting position and in it's open position. As mentioned, the arm is spring loaded to close the arm to it's resting position(closest to the countertop). Using the allen wrench make sure make sure the 4 set screws on the collar are tightened when the stop is in it's resting position.

c. The chair position or seat stop may need to be adjusted now that you've realigned the suspension arm. (See *Seat Plate Alignment, pg02*)

Fig 1.

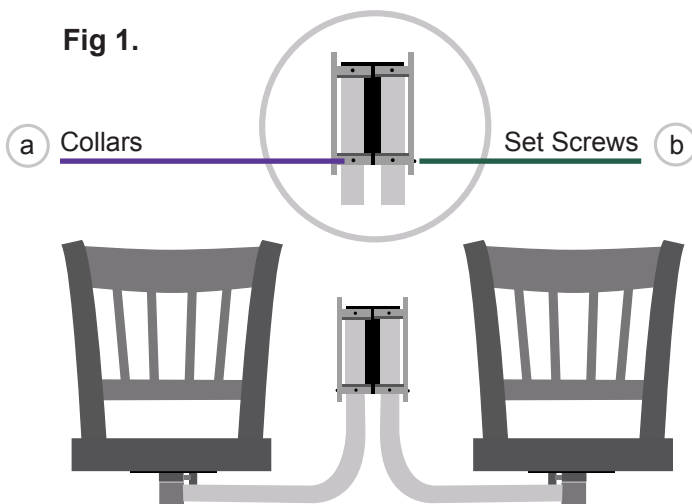
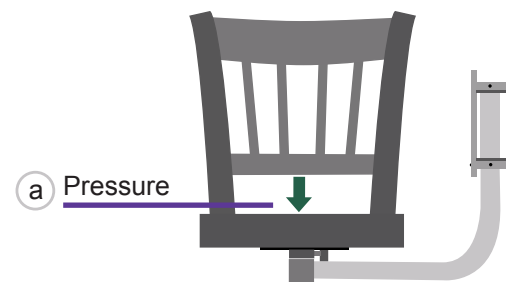


Fig 2.



Seat Plate Alignment

Issue: Your suspended chair is not square with the counter top or collides with the counter top.

Tool(s) needed: 5/32" Allen Wrench

1 To reposition the chair, locate the seat collar^{1a} under the chair and loosen the two set screws^{2b} with the allen wrench. Rotate the chair to the desired position, then retighten the set screws.

NOTES:

a The seat collar is spring loaded and is designed to return the chair to it's resting position (chair is square with the counter top)^{3a}. Make sure the set screws on the collar are tightened when the chair is in this position.

b Rotate the chair to ensure it doesn't collide with the counter top. If the back of the chair collides with the counter top and the chair is square to the countertop you may need to realign the suspension arm. (See *Suspension Arm Alignment pg 01*)

Fig 1.



Fig 2.

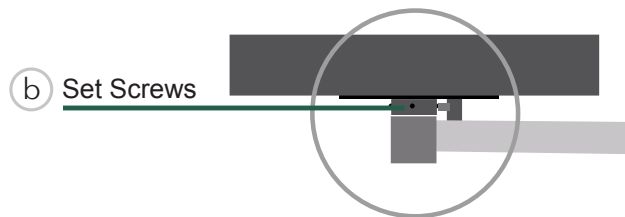
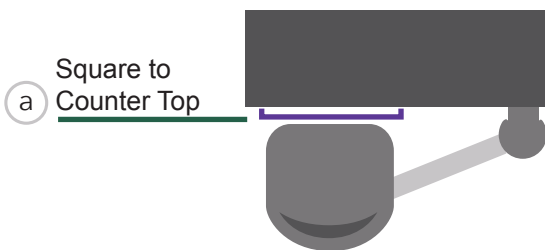


Fig 3.



Return Spring Adjustment

Issue: Your suspended chair springs back too quickly or too slowly or doesn't return to its resting position.

Tool(s) needed: 3/16" Allen Wrench and a pair of Vise Grips.

It's important to understand that the suspension arm and the seat plate are spring loaded to return the chair to its resting position when not in use. If the chair does not return itself, the arm **and/or** seat springs may need tightening.

Seat Spring Adjustment

1 To tighten a seat plate spring, take a pair of vise grips and grab the torsion key^{1a} located under the seat plate. Carefully pull down on the spring loaded torsion key and tighten one quarter turn. The seat plate should now return to its resting position.

Arm Spring Adjustment

1 Loosen the four setscrews^{2a} on the frame^{2b} with the allen wrench - two on the corner, one on the side and one on the bottom. Slide the head assembly^{2c} back to clear the countertop. Tighten one of the frame corner set screws to ensure the head assembly is level. Take a pair of vise grips and grab the center of the torsion key^{3d}. Carefully pull up on the spring loaded torsion key and tighten one quarter turn. Loosen the frame corner set screw and slide the head assembly back into the frame and tighten the set screws. The suspension arm should now return to its resting position when pulled back.

NOTES:

a To tighten a right suspension arm, turn counter clockwise. The left suspension arm is turned clockwise.

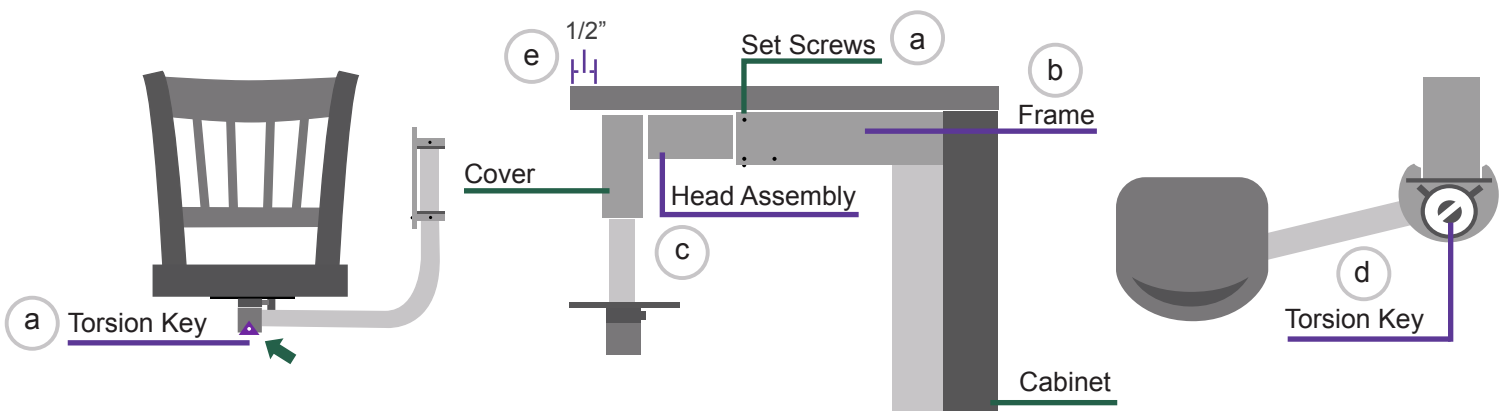
b When sliding the head assembly back into the frame, make sure the front edge of the head assembly is positioned approximately 1/2 inch^{2e} from the edge of the counter top.

c Once the head assembly is slid back into position, retighten the set screws in the following sequence: two corner set screws, bottom set screw and finally side set screw.

Fig 1.

Fig 2. Side View

Fig 3. Top View



Arm Spring Adjustment

Issue: Your suspended chair squeaks when opening or closing the suspension arm.

Tool(s) needed: 3/16" Allen Wrench and a pair of Vise Grips

The chair is squeaking because the arm spring is touching the inside wall of the suspension arm.

1 Loosen the four set screws ^{1a} with the allen wrench on the frame - two on the corner, one on the side and one on the bottom. Slide the head assembly ^{1b} back to clear the countertop. Tighten one of the frame corner set screws to ensure the head assembly is level.

2 With a pair of vise grips, grab the torsion key ^{2a} and center it within the grooves.

3 Pull your suspended seat back, your chair should no longer squeak.

4 Loosen the frame corner set screw, (the one previously tightened) and slide the head assembly back into the Frame and tighten the setscrews.

5 Once the head assembly is slid back into position, retighten the set screws in the following sequence: two corner set screws, bottom set screw and finally side set screw.

NOTES:

a When sliding the head assembly back into the frame, make sure the front edge of the head assembly is positioned approximately 1/2 inch ^{1c} from the edge of the counter top.

Fig 1. Side View

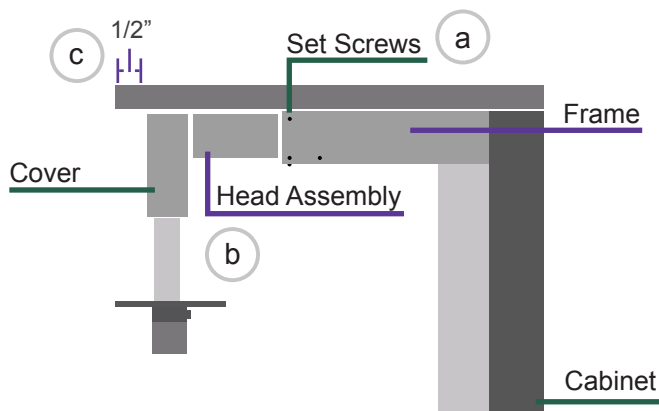
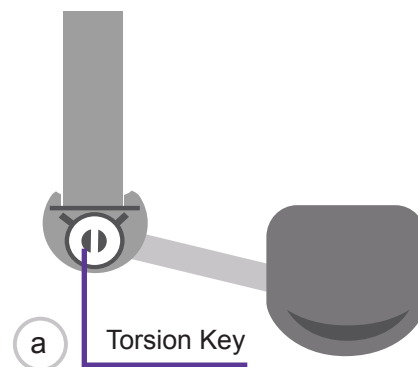


Fig 2. Top View



Arm Bushing/Stop Adjustment

Problem: Your suspended chair jolts or pops when you sit down.

Tool(s) needed: 5/32" and 3/16" Allen Wrench

Frame Set Screw Adjustment:

1 With the allen wrench loosen the four set screws^{1a}. After loosening the set screws it's important to retighten them in the following sequence - two corner set screws, bottom set screw and finally side set screw. Make sure the head assembly is level and snug with flush surfaces to the frame after the frame and set screws have been tightened.

Arm Stop Collar Adjustment:

2 The arm stop collar may not be snug against the lower bushing^{2a}. To tighten the arm stop collar, flex the cover outward and pull down to remove the cover. Locate the lower collar^{2b} and loosen the four set screws^{2c}. Once the lower collar is loosened, wiggle the lower collar upward on the arm tubing to eliminate the gap between the head assembly cylinder and the lower collar, then retighten the set screws.

Notes:

a Place downward pressure^{3a} on the chair while repositioning the lower collar. The spring in suspension arm will cause the arm to rise and will push the lower collar down on the arm which will create added play or a gap that may bind the mechanism. Make sure the lower collar is snug (no gap) to the lower bushing.

b The lower collar is designed to stop the arm's rotation in it's resting position and it's open position. As mentioned, the arm is spring loaded to close the arm to it's resting position. Make sure the set screws on the collar are tightened when the stop is in it's resting position.

Fig 1. Side View

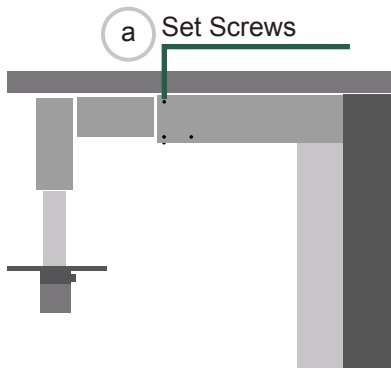


Fig 2.

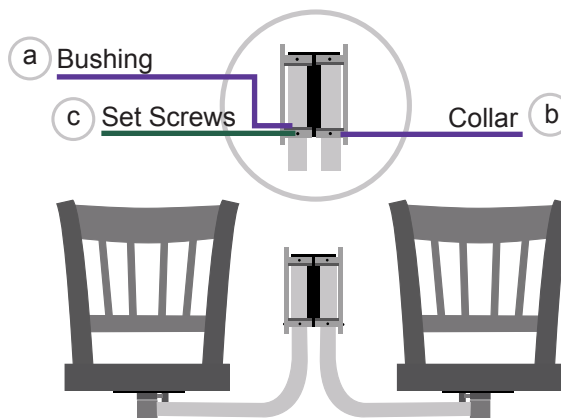


Fig 3.

